

PU

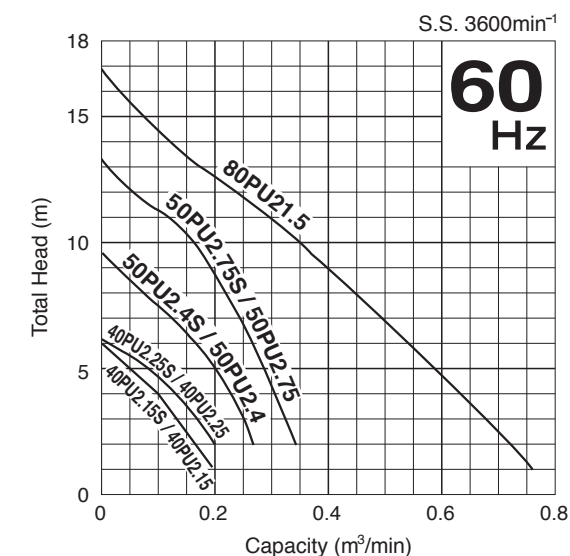
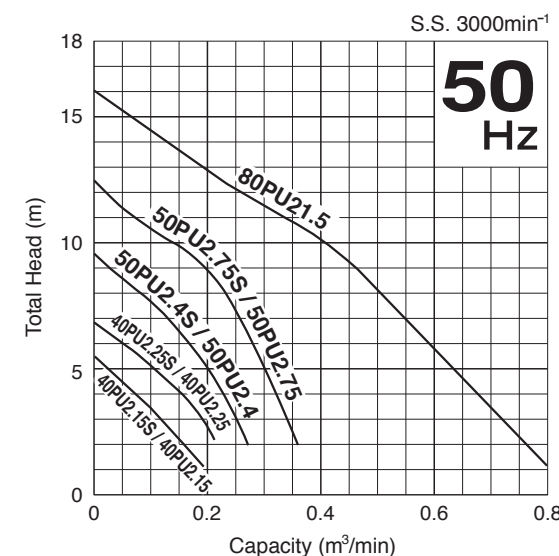
The PU-series is one of the Tsurumi VANCS-series. Being made of stainless steel and special resin, the pump is not only lightweight but corrosion-resistant as well. Built-in vortex impeller and large passage facilitate pump operations to readily dispose of liquid containing various kinds of foreign matters.



Major Standard Specifications

Discharge Bore	mm	40	50	80
Pumping Fluid	Type of Fluid	Waste water, and Liquid carrying Waste and Solid Matters		
	Fluid Temperature	0 to 40°C		
Pump	Structure	Impeller	Vortex Impeller	
		Shaft Seal	Double Mechanical Seal with Oil Lifter	
		Bearing	Double-shielded Ball Bearing	
	Materials	Impeller	Fiber-reinforced Plastic	
		Casing	Fiber-reinforced Plastic	
Shaft Seal	SiC			
Motor	Type, Pole	Dry Type Submersible Induction Motor 2-pole		
	Class of Insulation	Class E		
	Phase	Single-phase (suffix "S") Three-phase		
	Starting Method	Capacitor Run (single-phase only) Direct on Line		
	Protection Device (built-in)	Circle Thermal Protector Miniature Thermal Protector (single-phase only)		
	Lubricant	Turbine Oil (ISO VG32)		
	Materials	Frame	304 Stainless Steel	
		Shaft	403 Stainless Steel (0.15kW only)	
Cable		PVC		
Discharge Connection	Screwed Flange			

Performance Curves



* Standard, Automatic and Auto-Alternation models have the identical performance.

Standard Specifications

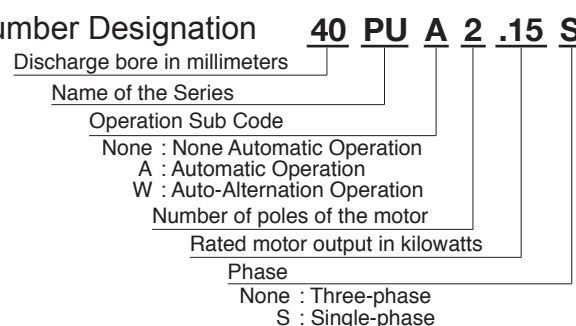
Discharge Bore mm	Standard Model		Automatic Model		Auto-Alternation Model		Motor Output kW	Starting Method	Speed (S.S.) 50Hz/60Hz min ⁻¹	Impeller Passage 50Hz/60Hz mm	Dry Weight * kgs		Cable				Length m	Material	
	Free Standing	Guide Rail Fitting	Free Standing	Guide Rail Fitting	Free Standing	Guide Rail Fitting					Standard Model	Automatic & Auto-Alternation Model	No. of Cables	200 ~ 240 V		380 ~ 575 V			
														Cores × mm ²	Outer Dia. mm	Cores × mm ²			Outer Dia. mm
40	40PU2.15S	(TOK)	40PUA2.15S	(TOK)	40PUW2.15S	(TOK)	0.15	Capacitor Run	3000/3600	35	6.1	6.6	1	3 × 1.25	10.1	3 × 1.25	10.1	5	PVC
40	40PU2.15	(TOK)	40PUA2.15	(TOK)	40PUW2.15	(TOK)	0.15	D.O.L.	3000/3600	35	5.6	6.2	1	4 × 1.25	11.1	4 × 1.25	11.1	6	PVC
40	40PU2.25S	(TOK)	40PUA2.25S	(TOK)	40PUW2.25S	(TOK)	0.25	Capacitor Run	3000/3600	35	7.1	7.7	1	3 × 1.25	10.1	3 × 1.25	10.1	5	PVC
40	40PU2.25	(TOK)	40PUA2.25	(TOK)	40PUW2.25	(TOK)	0.25	D.O.L.	3000/3600	35	6.1	6.7	1	4 × 1.25	11.1	4 × 1.25	11.1	6	PVC
50	50PU2.4S	(TOK)	50PUA2.4S	(TOK)	50PUW2.4S	(TOK)	0.4	Capacitor Run	3000/3600	35	7.1	7.7	1	3 × 1.25	10.1	3 × 1.25	10.1	5	PVC
50	50PU2.4	(TOK)	50PUA2.4	(TOK)	50PUW2.4	(TOK)	0.4	D.O.L.	3000/3600	35	7.0	7.5	1	4 × 1.25	11.1	4 × 1.25	11.1	6	PVC
50	50PU2.75S	(TOK)	50PUA2.75S	(TOK)	—	—	0.75	Capacitor Run	3000/3600	35	8.9	9.5	1	3 × 2.0	10.9	3 × 1.25	10.1	5	PVC
50	50PU2.75	(TOK)	50PUA2.75	(TOK)	50PUW2.75	(TOK)	0.75	D.O.L.	3000/3600	35	8.3	8.9	1	4 × 1.25	11.1	4 × 1.25	11.1	6	PVC
80	80PU21.5	(TOK)	80PUA21.5	(TOK)	80PUW21.5	(TOK)	1.5	D.O.L.	3000/3600	46	15.8	16.5	1	4 × 1.25	11.1	4 × 1.25	11.1	6	PVC

* Weights excluding cable

Applications

- Transferring wastewater between the tanks at small-scale treatment facility
- Draining sewage from factory, residence, hotel, restaurant, etc
- Pumping rainwater and springwater at a place where foreign objects are likely to run into the water

Model Number Designation



Standard Accessories

- Free Standing
- Screwed Flange

Guide Rail Fitting - TOK

- Lifting Chain 4m*, (with Shackles) *5m for 1.5kW
- Guide Support (with Bolts & Nuts)
- Guide Hook
- Duckfoot Bend